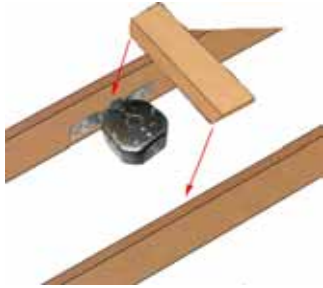


**CEILING BOXES
FOR
LIGHT FIXTURES AND CEILING FANS**





Before installing your ceiling fan, you need to check to make sure that you have the correct ceiling box for a ceiling fan application. If the house is not new construction and you are replacing an existing light fixture, the ceiling box may need to be modified or replaced before continuing with the installation of the ceiling fan. The information in this section of Casablanca's Technical Library may help at the time of installation. One of the most important things that need to be looked at is the ceiling box. This is to make sure that the ceiling box meets all building codes, warnings and weight requirements to support the weight of the ceiling fan. First, you will need to determine the hanging weight of the ceiling fan. Review the charts and diagrams to make sure that you are using the proper ceiling box. Next, verify the weight rating for the ceiling box. The ceiling box must be rated to support the weight of the fan. If it does not, the ceiling box will need to be replaced with one that is weight rated for the ceiling fan weight and is also designed to meet all safety and building codes that are required for proper installation.



**READ THESE WARNINGS ABOUT
CEILING BOX INSTALLATION AND SAVE**

SAFETY FIRST

Safety and the proper operation of your Casablanca fan both require a thorough knowledge of the product and proper installation; therefore, before attempting to install and operate your Casablanca fan, read the owner's manual completely and carefully. Retain the manual for future reference.

CAUTION: To avoid possible electrical shock, make certain that electricity is turned off at the circuit breaker or fuse box before attempting any installation procedure.

- All wiring must be in accordance with the National Electric Code ANSI/NFPA 70-1993 and the appropriate local electrical codes. The National Electric Code requires proper grounding as a precaution against electrical shock. A qualified electrician should be consulted if you are unsure.
- This fan is designed to be installed on an existing electrical outlet box. The outlet box must be UL Listed for ceiling fan installations, **if it is not, a new box must be installed.** Casablanca extension poles are available for sloped or high ceiling installations.
- This ceiling fan requires a grounded electrical supply of 120 VAC, 60 Hz and a minimum 15 amp circuit. The maximum current requirement for the fan with light fixture is 3.8 amps. The fan uses about 1 amp or 100 watts. Maximum light current is 2.8 amps or 340 watts of lighting.
- Where wire nuts are employed, be sure all bare wires are within the connectors. When installing the canopy hatch, make sure all wires are within the canopy and that no wires are being pinched.

Ceiling Box INDEX Page

 <p>WARNING! NOT FOR CEILING FANS.</p>		<p><u>Ceiling Box for light fixtures only-</u> Can NOT be modified must be re- placed. SEE PAGE - 7</p> <p>CEILING FANS - 0 LB A</p>
--	---	--

 <p>WARNING! NOT FOR CEILING FANS.</p>		<p><u>Ceiling Box for light fixtures only-</u> Can NOT be modified must be re- placed. SEE PAGE - 9</p> <p>CEILING FANS - 0 LB B</p>
--	---	--

 <p>WARNING! NOT FOR CEILING FANS.</p> 		<p><u>Ceiling Box for light fixtures only-</u> Can NOT be modified must be re- placed. SEE PAGE - 10</p> <p>CEILING FANS - 0 LB C</p>
---	--	---

 <p>WARNING! NOT FOR CEILING FANS.</p> 		<p><u>Ceiling Box for light fixtures only-</u> Can NOT be modified must be re- placed. SEE PAGE - 11</p> <p>CEILING FANS - 0 LB D</p>
--	---	---

	<p><u>MUST BE MODIFIED OR REPLACED</u></p> 	<p><u>Ceiling Box for light fixtures only-</u> Can be modified as shown using lag bolt, will hold ceiling fans up to 70 pounds.</p> <p>SEE PAGE - 12</p> <p>Modified - 70 LB E</p>
---	---	--

	<p><u>MUST BE MODIFIED OR REPLACED</u></p> 	<p><u>Ceiling Box for light fixtures only-</u> Can be modified as shown using lag bolt, will hold ceiling fans up to 70 pounds.</p> <p>SEE PAGE - 13</p> <p>Modified or Replaced - 0-70 LB F</p>
---	---	--

Ceiling Box INDEX Page

		<p>Ceiling Fan & light fixtures - Modification NOT needed, will hold ceiling fans up to 70 pounds.</p> <p>SEE PAGE 14 - 15</p> <p>0 - 70 LB G</p>
--	--	--

	<p>WARNING! Ceiling Fans up to 35 LB</p>	<p>Ceiling Fan & light fixtures - Can NOT modified, will hold ceiling fans up to 35 pounds.</p> <p>SEE PAGE - 16</p> <p>0 - 35 LB H</p>
--	---	--

		<p>Ceiling Fan & light fixtures - Modification NOT needed, will hold ceiling fans up to 70 pounds.</p> <p>SEE PAGE 17 - 19</p> <p>0 - 70 LB I</p>
--	--	--

		<p>Ceiling Fan & light fixtures - Modification NOT needed, will hold ceiling fans up to 70 pounds.</p> <p>SEE PAGE 20 - 22</p> <p>0 - 70 LB J</p>
--	--	--

Outside USA: Perma • Lock™

WARNING: MOUNT ONLY TO AN OUTLET BOX MARKED ACCEPTABLE FOR FAN SUPPORT

••••

ADVERTISSEMENT: ASSEMBLER UNIQUEMENT À UNE BÔÎTE DE SORTIE JUGÉE ACCEPTABLE POUR RETENIR UN VENTILATEUR.

SEE PAGE 23 - 30

K

--	--



WEIGHT CHART FOR CASABLANCA CEILING FANS

Use this chart and determine the hanging weight of your Casablanca ceiling fan. Your ceiling box must be rated to support the weight of the fan. If your ceiling box is not marked for CEILING FANS, FAN SUPPORT or FAN BRACE, the ceiling box will need to be replaced. You will need to have your ceiling box replaced with one that is weight rated to support the weight of your ceiling fan and is also designed to meet all safety and building codes that are required for proper installation.

SERIES	Weight Lbs.	Ceiling Box Type
Aegean Classic	36	
Bel Air	24	
Bel Air Halo	24	
Bella	30	
Bella Uplight	27	
Brescia Gallery	32	
Brescia	27	
Campana	22	
Capistrano	24	
Cathay	36	
Commodore	25	
Concentra	20	

WEIGHT CHART - Continued on next page.



FACTORY SERVICE TECHNICAL LIBRARY

Ceiling Fans and Their - CEILING BOXES

WEIGHT CHART - Continued.

SERIES	Weight Lbs.	Ceiling Box Type			
Estrada	25				Outside USA: Perma • Lock™ P 23-30
Four Seasons III	14				Outside USA: Perma • Lock™ P 23-30
Four Seasons III Hugger	11				Outside USA: Perma • Lock™ P 23-30
Four Seasons III Outsider	17				Outside USA: Perma • Lock™ P 23-30
Kawayan	40				Outside USA: Perma • Lock™ P 23-30
Key Largo	30				Outside USA: Perma • Lock™ P 23-30
Lanai	25				Outside USA: Perma • Lock™ P 23-30
le Grande	27				Outside USA: Perma • Lock™ P 23-30
Malibu Star	19				Outside USA: Perma • Lock™ P 23-30
Marrakesh	40				Outside USA: Perma • Lock™ P 23-30
Metropolitan	25				Outside USA: Perma • Lock™ P 23-30
Mission Fan	36				Outside USA: Perma • Lock™ P 23-30
Modena	15				Outside USA: Perma • Lock™ P 23-30
New Orleans	36				Outside USA: Perma • Lock™ P 23-30
19th Century	35				Outside USA: Perma • Lock™ P 23-30

WEIGHT CHART - Continued on next page.



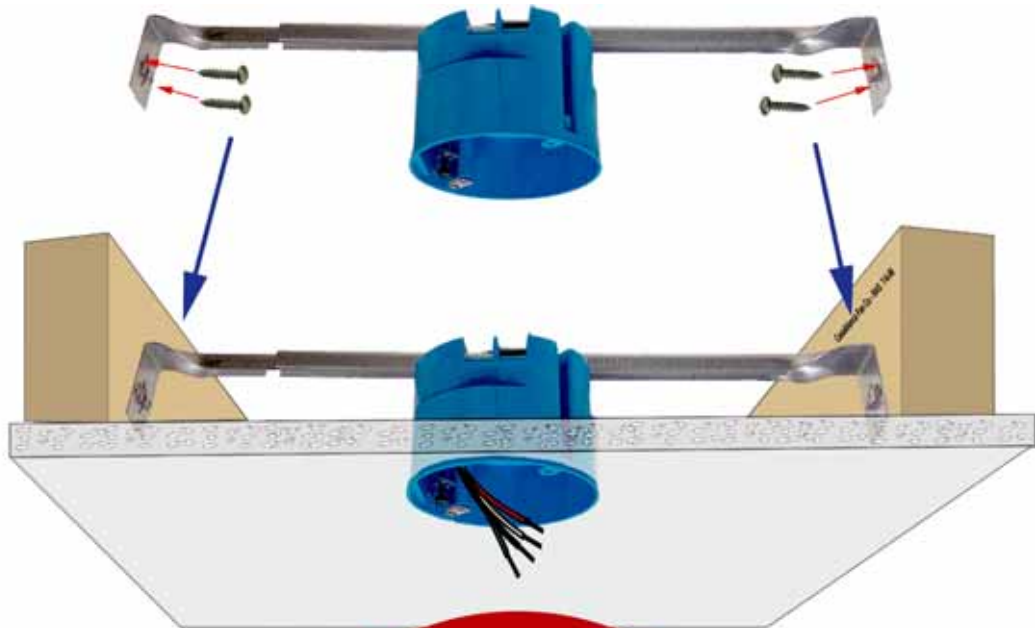
FACTORY SERVICE TECHNICAL LIBRARY

Ceiling Fans and Their - CEILING BOXES

WEIGHT CHART - Continued.

SERIES	Weight Lbs.	Ceiling Box Type
Nouvelle	36	
Panama XLP	20	
Panama XTR	27	
Panama Damp XLP	20	
Panama Damp XTR	27	
Panama Halo	27	
S3	23	
Scandia	17	
Stealth	33	
Utopian	25	
Ventura	19	
Verrazano	32	
Victorian	23	
Wailea	17	
Wilderness	50	

WEIGHT CHART - END



Ceiling Box for light fixtures only - Can NOT be modified, must be replaced.



Casablanca Fan Co - RAS 7-8-06

REPLACEMENT RECOMMENDATION:

J

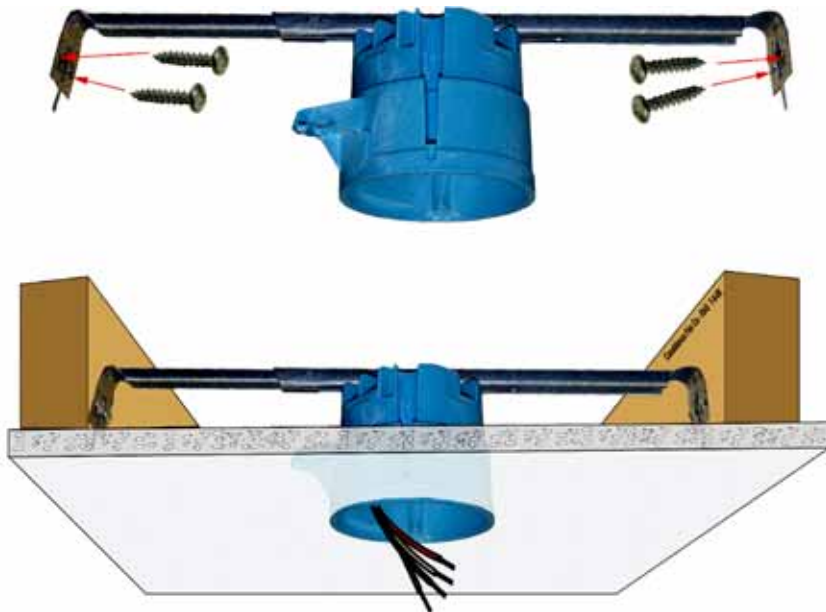
SEE PAGE 19 - 21

Replace with the **Super Fan Brace** for ceiling fan & light fixtures - Will hold ceiling fans up to 70 pounds.

70 LBS



B



Ceiling Box for light fixtures only- Can NOT be modified, must be replaced.



Casablanca Fan Co - RAS 7-6-06

REPLACEMENT RECOMMENDATION:

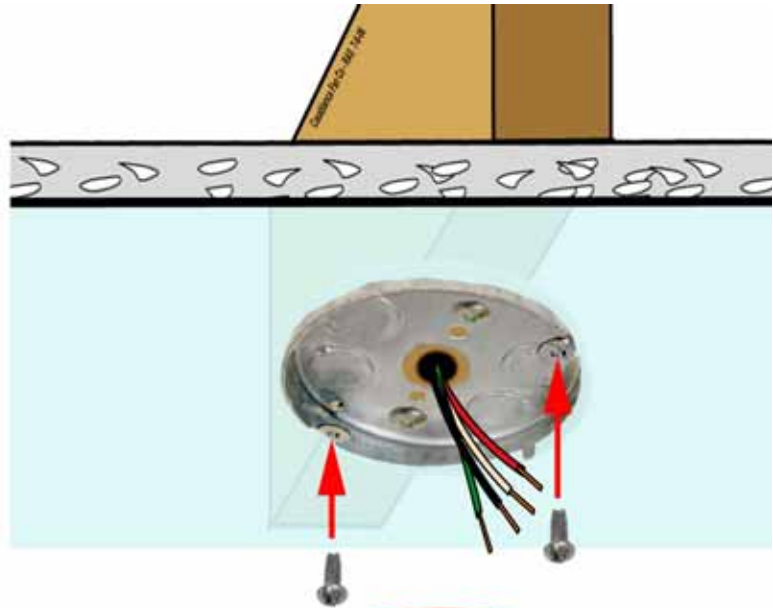
Ceiling Fan & light fixtures - Modification NOT needed, will hold ceiling fans up to 70 pounds.

SEE PAGE 19 - 21

J

70 LBS





**Ceiling Box for light fixtures only -
Can NOT be modified, must be replaced.**



Casablanca Fan Co - RAS 7-6-06

REPLACEMENT RECOMMENDATION:

G	<p>Ceiling Fan & light fixtures - Modification NOT needed, will hold ceiling fans up to 70 pounds.</p> <p>SEE PAGE 19 - 21</p> <p style="text-align: center;">70 LBS</p>
----------	--





**Ceiling Box for light fixtures only -
Can NOT be modified, must be replaced.**



Casablanca Fan Co - RAS 7-6-06

REPLACEMENT RECOMMENDATION:

Ceiling Fan & light fixtures - Can NOT be modified, will hold ceiling fans up to 35 pounds.

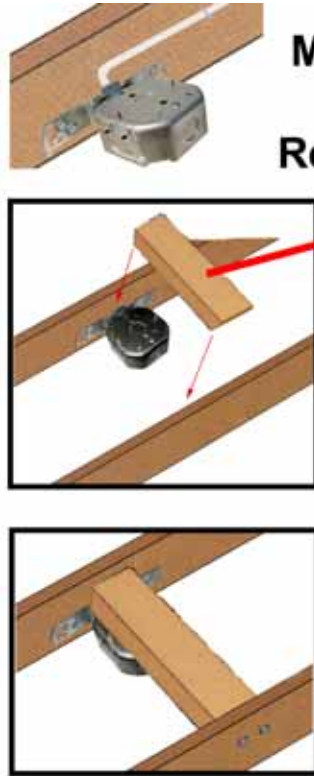
SEE PAGE 19 - 21

35 LBS

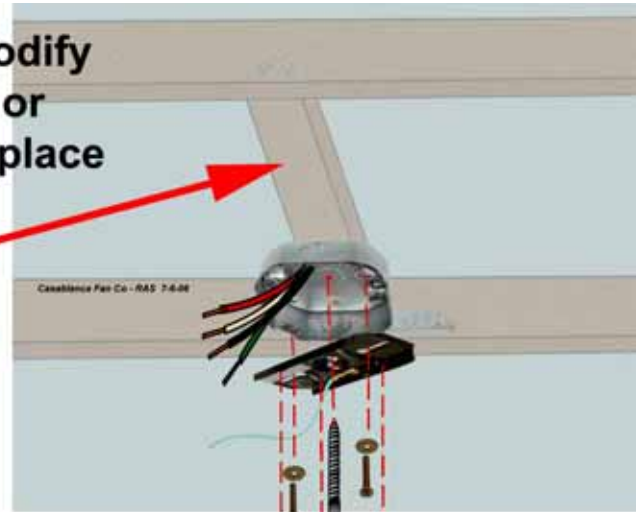


WARNING!
Ceiling Fans up to 35 LB





**Modify
or
Replace**



CAUTION: To reduce the risk of personal injury, use only the mounting hardware provided with the approved outlet box to install the crossbar mounting bracket.



Casablanca Fan Co. - RAS 7-6-08

Ceiling Box for light fixtures only- Can be modified as shown using lag bolt, will hold ceiling fans up to 70 pounds.

REPLACEMENT RECOMMENDATION:



Ceiling Fan & light fixtures - Can NOT be modified, will hold ceiling fans up to 35 pounds.

SEE PAGE - 15

0 - 35 LB

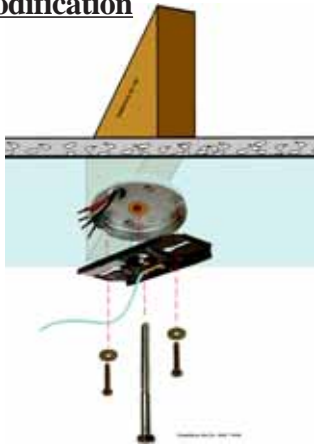


WARNING!
Ceiling Fans up to 35 LB



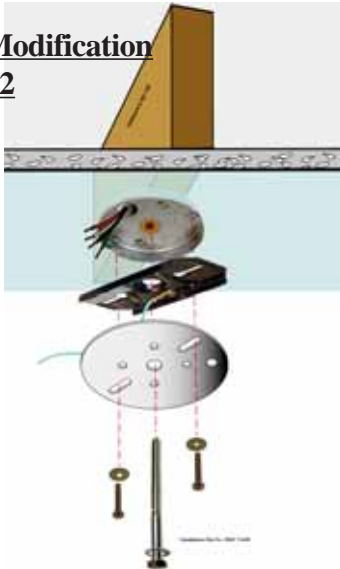
Modification

#1

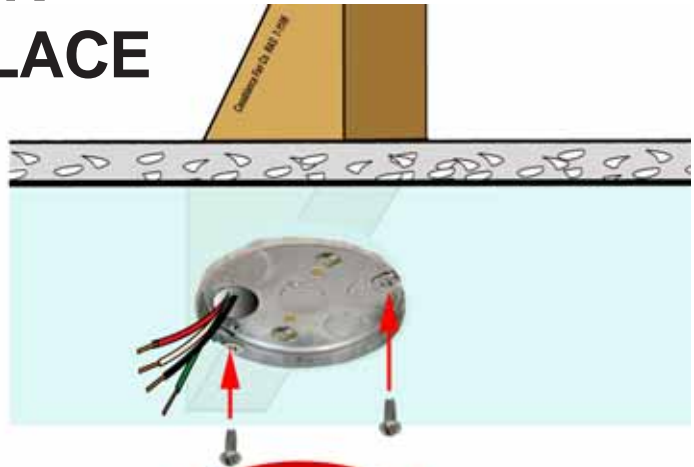


Modification

#2



**MODIFY
OR
REPLACE**



Casablanca Fan Co. - RAS 7-4-06

REPLACEMENT RECOMMENDATION:

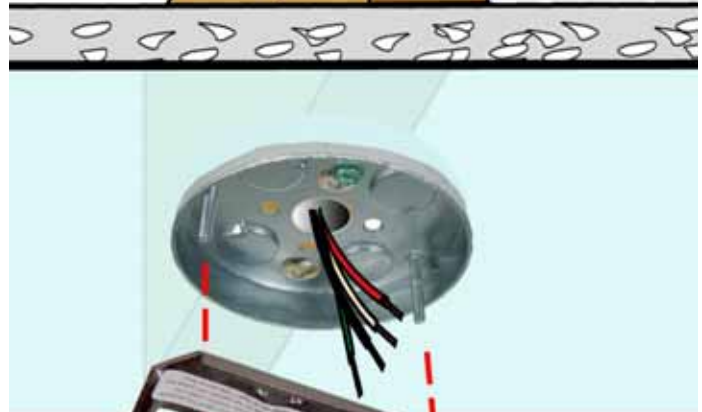
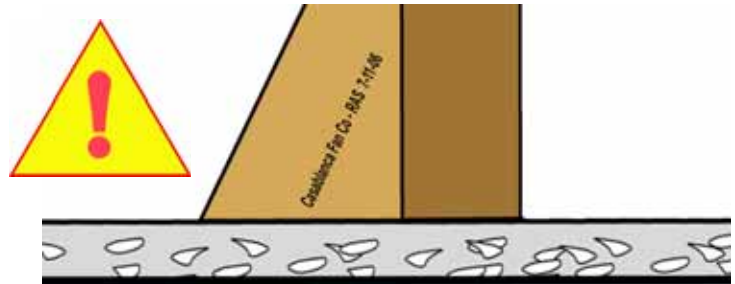
G

**Ceiling Fan & light fixtures -
Modification NOT needed, will
hold ceiling fans up to 70 pounds.**

SEE PAGE 13 - 14

70 LB





3/8" - 7 LAG SCREW (5")

CAUTION: To reduce the risk of personal injury, use only the mounting hardware provided with the approved outlet box to install the crossbar mounting bracket.

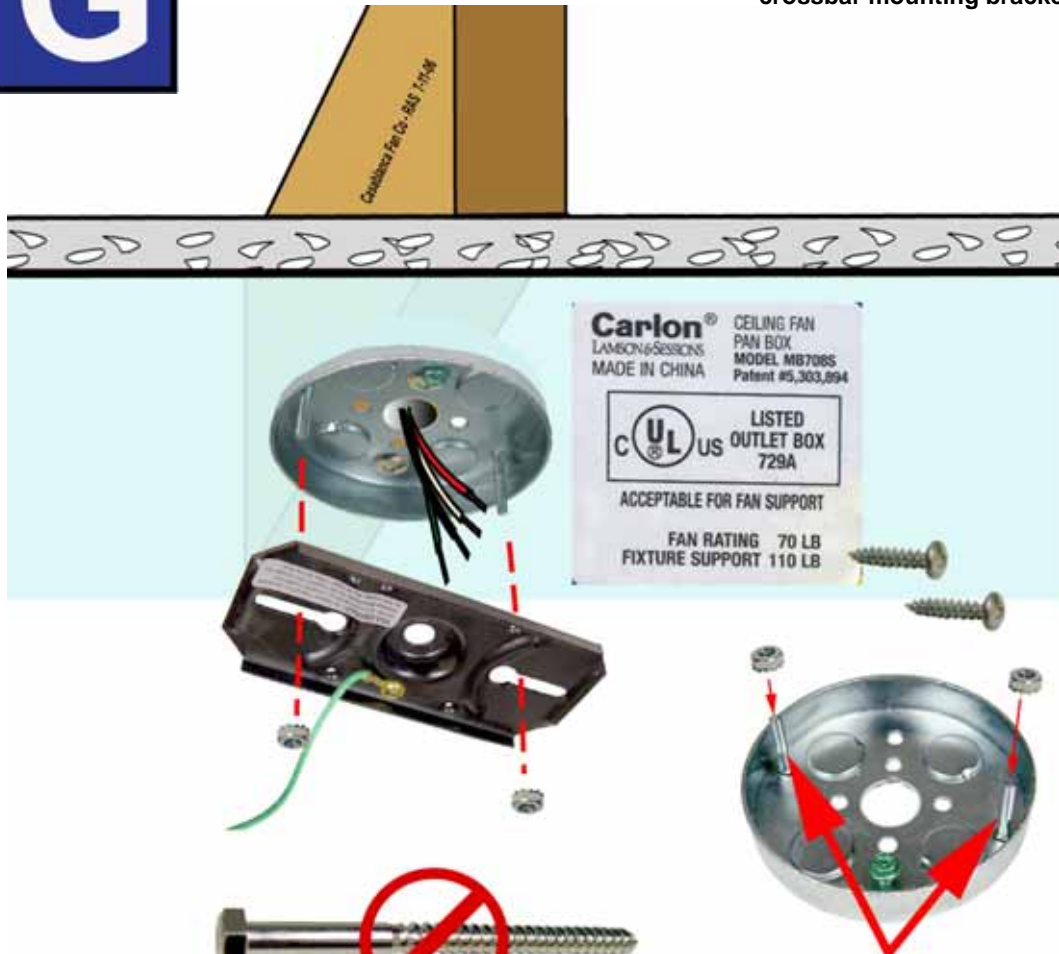
Ceiling Box for Ceiling fans and light fixtures - The Carlton® CEILING FAN PAN BOX MODEL MB708S has a UL rating of 70 LBS for Ceiling Fans and 110 LBS for Fixture support as shown.

Carlton® - Continued on next page

Carlton®- Continued



CAUTION: To reduce the risk of personal injury, use only the mounting hardware provided with the approved outlet box to install the crossbar mounting bracket.



Lag Screw NOT  **required as Secondary Support.**

Carlton® has added a Secondary Support within design.

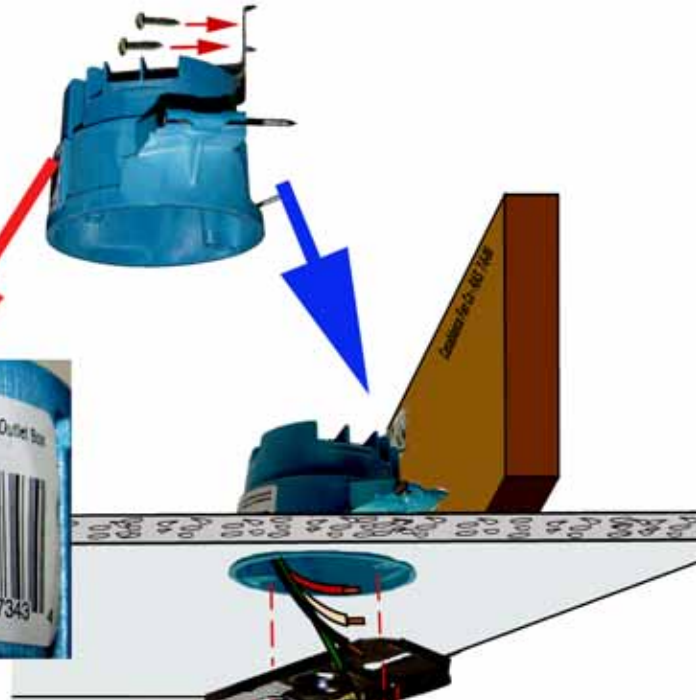
Ceiling Box for Ceiling fans and light fixtures - The Carlton® CEILING FAN PAN BOX MODEL MB708S has a UL rating of 70 LBS for Ceiling Fans and 110 LBS for Fixture support as shown.

Carlton® - END.



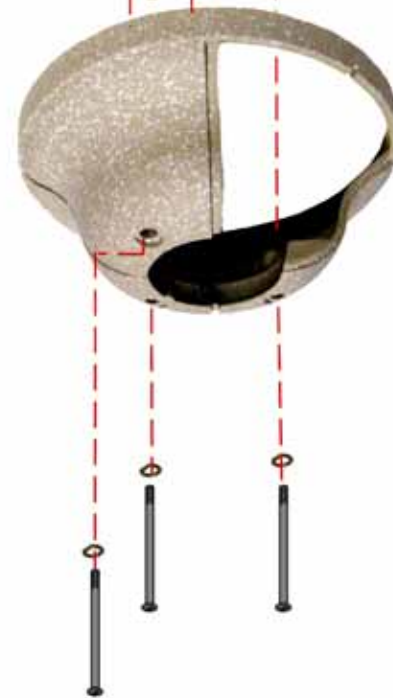
WARNING!

Ceiling Fans up to 35 LBS



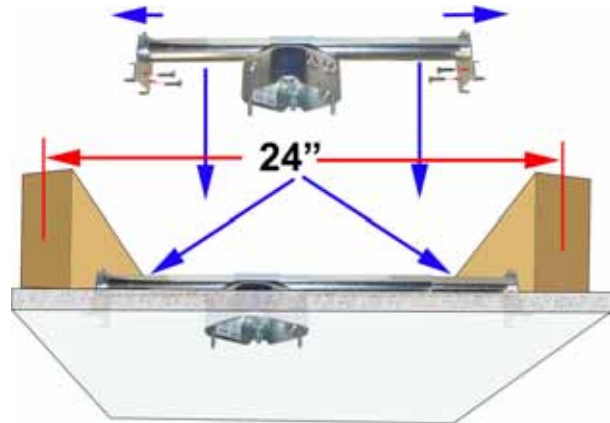
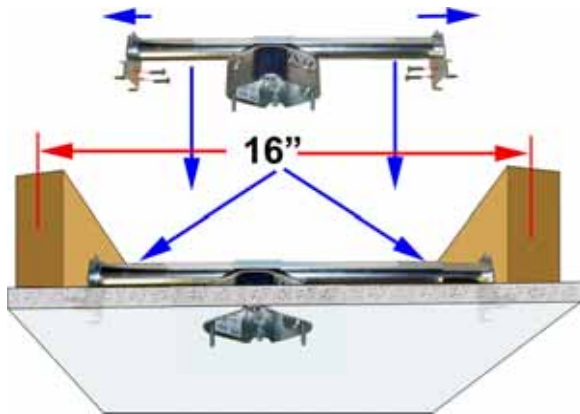
Ceiling Box for Ceiling fans and light fixtures - Will hold up to a 35 pound ceiling fan and a light fixture up to 70 pounds.

CAUTION: To reduce the risk of personal injury, use only the mounting hardware provided with the approved outlet box to install the crossbar mounting bracket.





Ceiling Fan & light fixtures - Modification NOT needed, will hold ceiling fans up to 70 pounds.



LAG BOLT NOT required for secondary support

CAUTION: To reduce the risk of personal injury, use only the mounting hardware provided with the approved outlet box to install the crossbar mounting bracket.

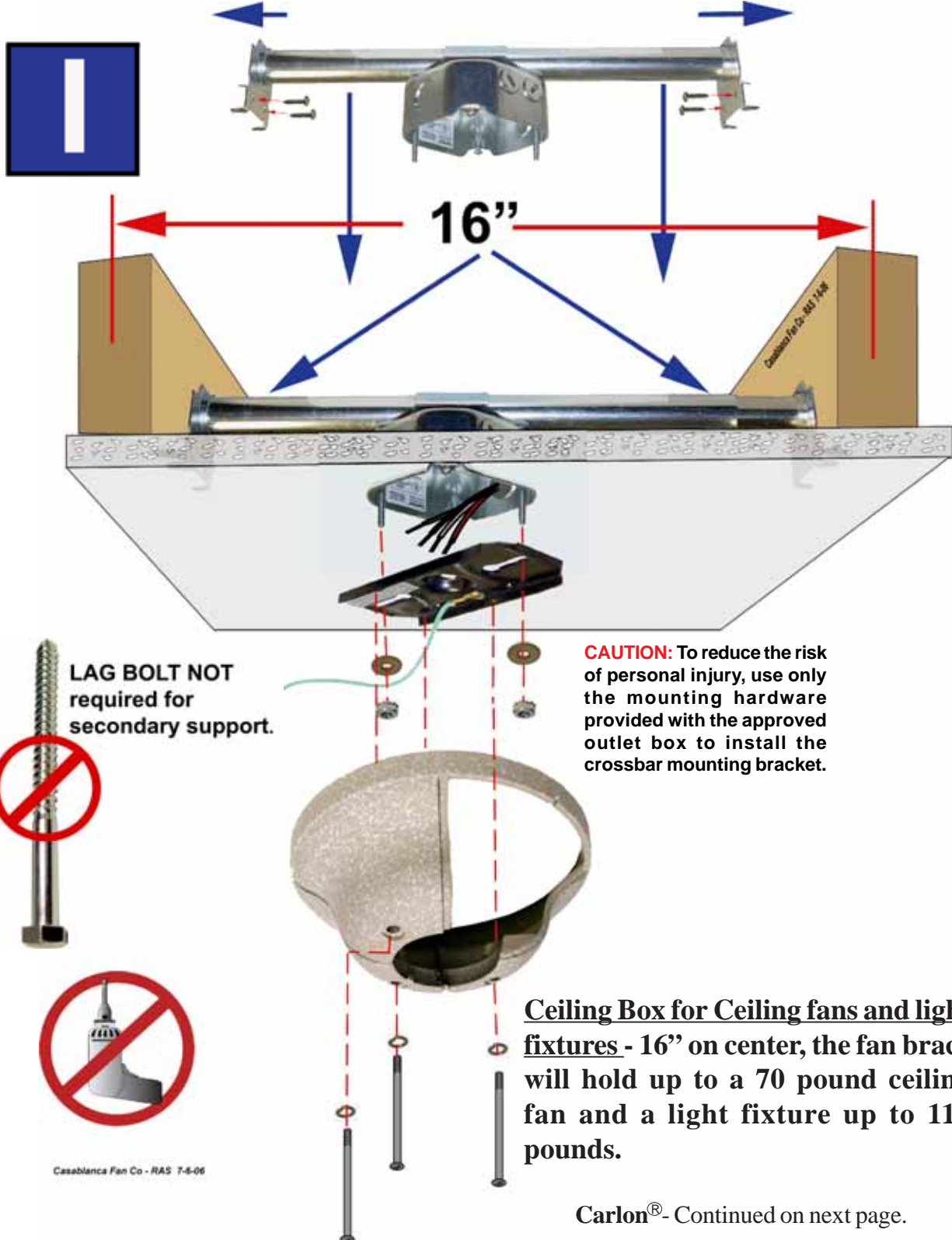
Ratings

16" Beam Centers - 70 lb Fans or 110 lb Fixtures
24" Beam Centers - 70 lb Fans or 90 lb Fixtures



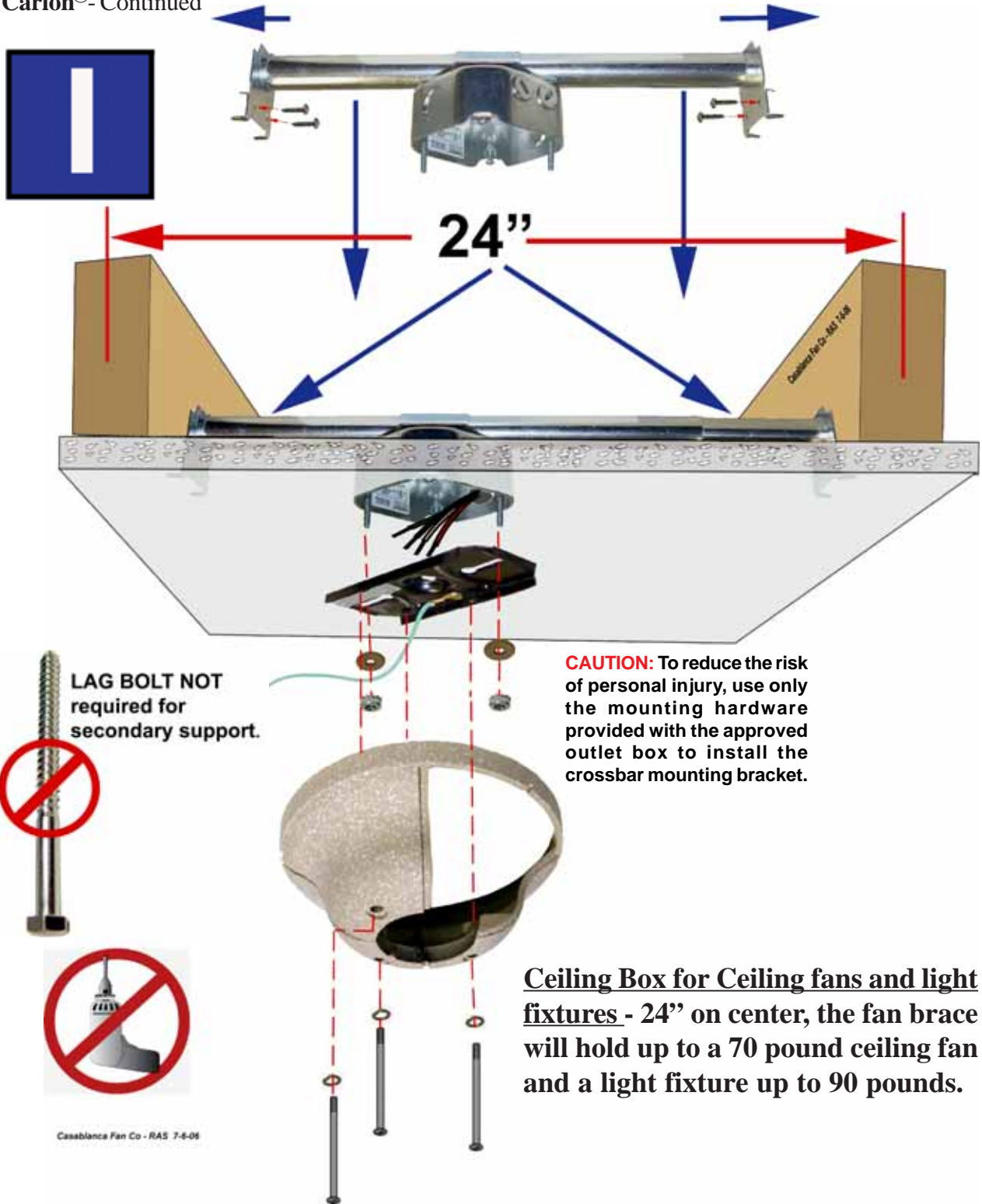
Carlon®- Continued on next page.

Carlton®- Continued



Casablanca Fan Co - RAS 7-6-06

Carlton® - Continued



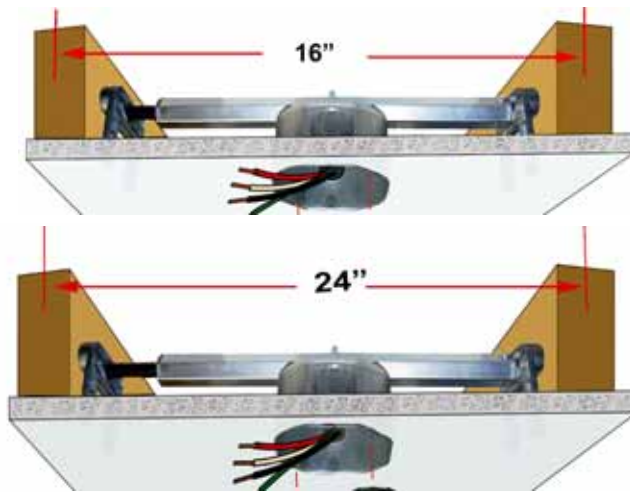
LAG BOLT NOT required for secondary support.

CAUTION: To reduce the risk of personal injury, use only the mounting hardware provided with the approved outlet box to install the crossbar mounting bracket.

Ceiling Box for Ceiling fans and light fixtures - 24" on center, the fan brace will hold up to a 70 pound ceiling fan and a light fixture up to 90 pounds.

Carlton® - END.

J



Reiker

- For new construction & remodel applications
Para construcciones nuevas y remodelaciones
- Dual supports accept fans up to 70 lbs. or fixtures up to 150 lbs.
Sostiene un ventilador de 70 lbs. máx. o una luz de 150 lbs. máx.
- Includes 25.0 cubic inch heavy-duty metal box
Incluye una caja de metal reforzada de 25.0 pulg. cúbicas
- Expands to fit 16 or 24 inch joists
Se expande para utilizarse con vigas de 16 o 24 pulg.

Hunter™ Original Fan Compatible
Compatible con el ventilador Hunter™ Original

US Patents: No. 4,463,923; 5,981,874;
Des. 288,389; RE. 33,147

Cat. #: 22200

CAUTION: To reduce the risk of personal injury, use only the mounting hardware provided with the approved outlet box to install the crossbar mounting bracket.



Reiker SUPER FAN BRACE Heavy-Duty Brace Support System
Sistema de soporte reforzado

UL 59E8 Hanger Assembly Listed

Pass & Seymour
Legrand

Made in USA
Fabricado en EE.UU.

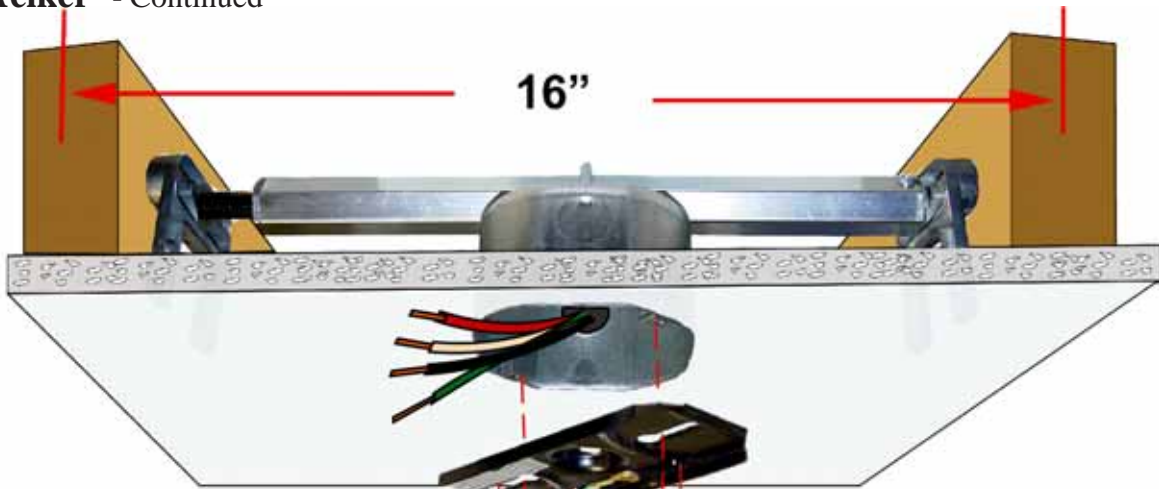
Cat. #: 22200



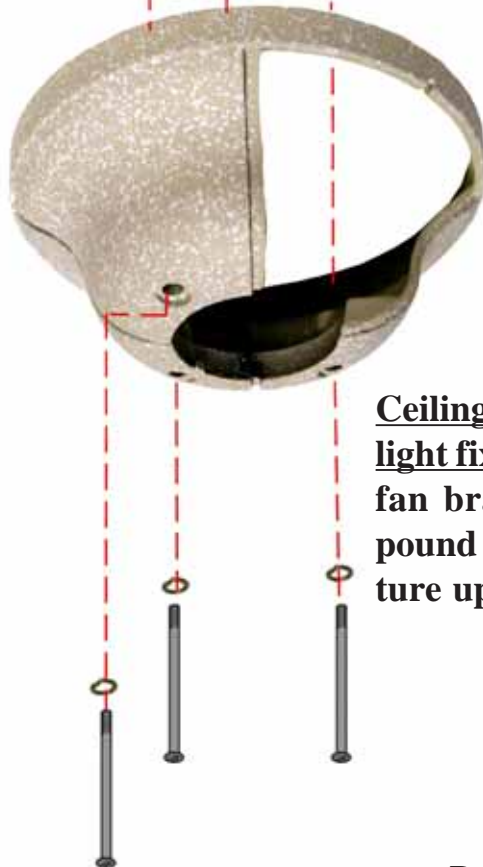
Ceiling Box for Ceiling fans and light fixtures - 16" or 24" on center, the fan brace will hold up to 70 pound ceiling fan and light fixture up to 150 pounds.

Reiker - Continued on next

Reiker - Continued

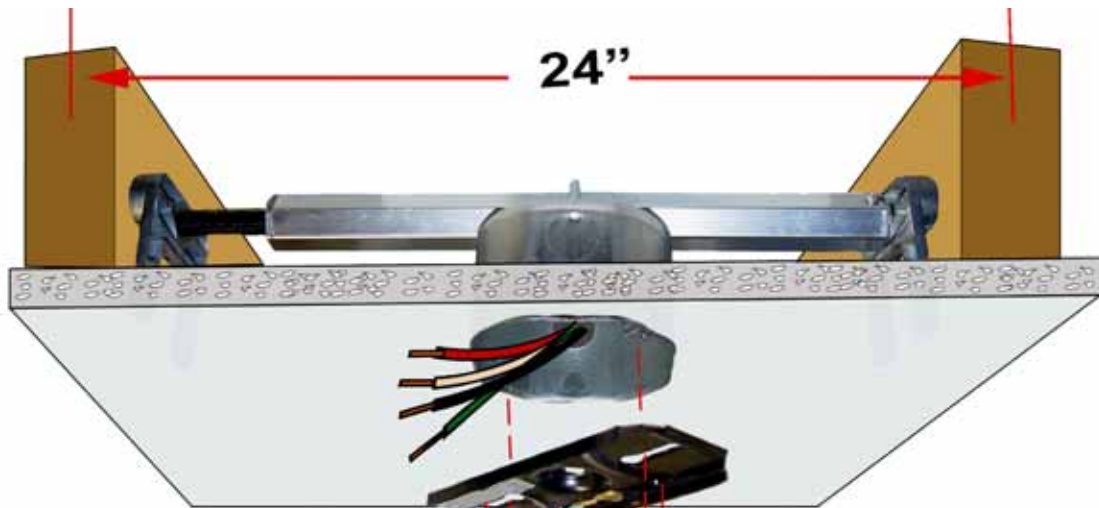


CAUTION: To reduce the risk of personal injury, use only the mounting hardware provided with the approved outlet box to install the crossbar mounting bracket.



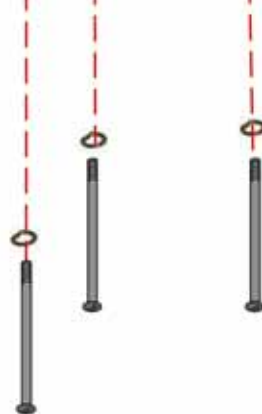
Ceiling Box for Ceiling fans and light fixtures - 16" on center, the fan brace will hold up to a 70 pound ceiling fan and a light fixture up to 150 pounds.

Reiker - Continued



CAUTION: To reduce the risk of personal injury, use only the mounting hardware provided with the approved outlet box to install the crossbar mounting bracket.

Ceiling Box for Ceiling fans and light fixtures - 24" on center, the fan brace will hold up to a 70 pound ceiling fan and a light fixture up to 150 pounds.



LAG BOLT NOT required for secondary support.

Casablanca Fan Co - RAS 7-6-06

Reiker - END.

Outside USA: Perma • Lock™

SECONDARY SUPPORT INSTALLATION PARTS

OUTLET ADAPTOR PLATE



6" OUTLET BOX CABLE



SPRING LOCK HOOK



3/8" - 7 LAG SCREW (5")



FENDER WASHER

MOUNTING SECONDARY SUPPORT PARTS TO OUTLET BOX

NOTE: All fan installations and wiring must be in accordance with the NRC National Building Code Plus CSA Standards . The NRC National Building Code Plus CSA Standards requires proper grounding as a precaution against electrical shock. A qualified electrician should be consulted if you are unsure of your ceiling fan installation.

WARNING: MOUNT ONLY TO AN OUTLET BOX MARKED ACCEPTABLE FOR FAN SUPPORT

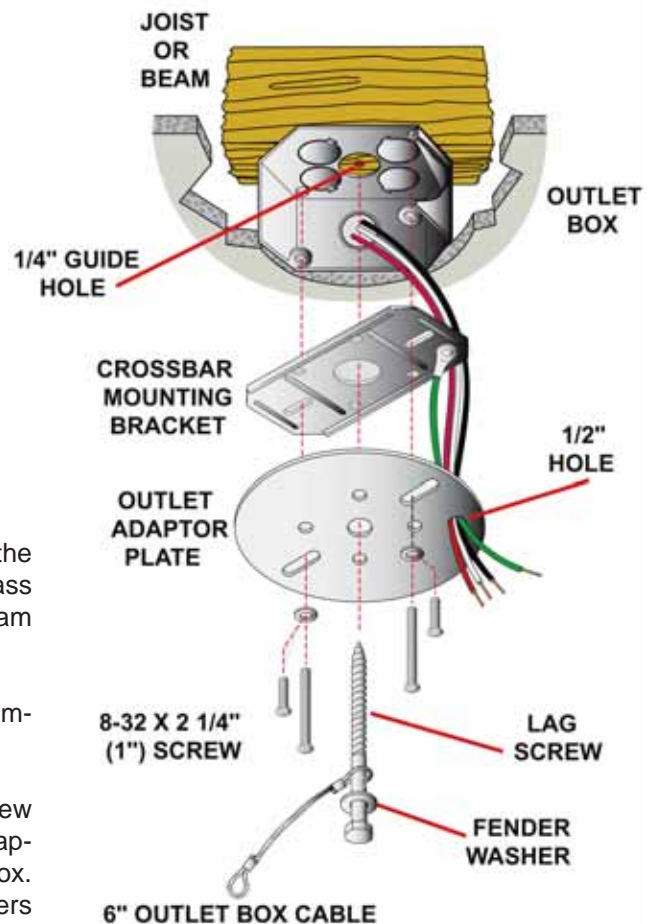
ADVERTISSEMENT: ASSEMBLER UNIQUEMENT À UNE BÔITE DE SORTIE JUGÉE ACCEPTABLE POUR RETENIR UN VENTILATEUR.

Step 1. Remove the knockout plug in the center of the outlet box or drill a 1/2" hole for the lag screw to pass through. Then drill a 1/4" guide hole into the joist or beam to a depth of 3 inches.

Step 2. Route the outlet box wires through the 1/2" diameter outer hole of the outlet adaptor plate.

Step 3. Line up the slotted holes and four canopy screw holes in the crossbar mounting bracket and outlet adaptor plate with the 8-32 mounting holes in the outlet box. Install the two 8-32 X 2 1/4- (1") screws and flat washers in fan hardware kit and tighten securely by hand only!

Step 4. With fender washer and outlet box cable attached as shown, pass lag screw through center hole of outlet adaptor plate and screw into pre drilled 1/4" guide hole of joist. Tighten until outlet box is firmly mounted.



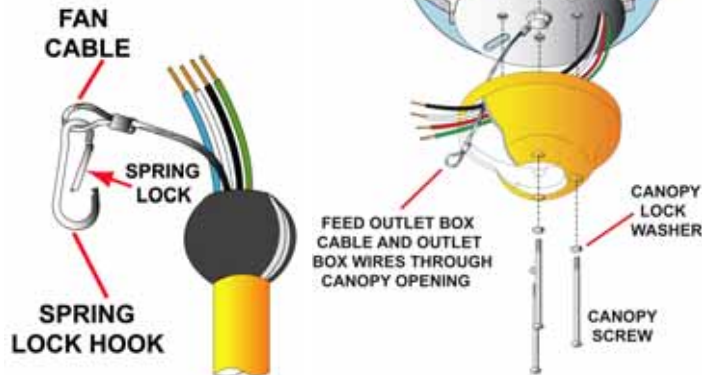
TIP: Threading two of the canopy screws into the crossbar mounting bracket will help everything stay aligned as you tighten the lag screw. Remove them before starting Step 5.

SECONDARY SUPPORT @ CANOPY INSTALLATION

Step 5. Attach the canopy to the crossbar mounting bracket behind the installed outlet adaptor plate with three of the 8-32 x 2 1/2-long canopy screws and lock washers provided with your Casablanca fan. Hand tighten until snug against the ceiling.

NOTE: On sloped ceilings, align the canopy opening toward the top or peak of the room.

Step 6. Attach the spring lock hook to the fan cable by depressing the spring lock and clipping onto the loop at the end.



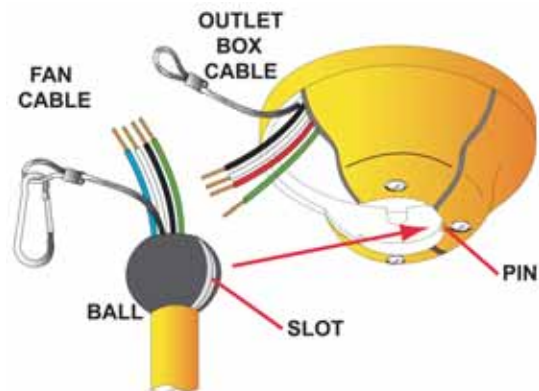
SECONDARY SUPPORT @ HANGING THE FAN

Step 7. To hang the fan body in the canopy, hold the fan body firmly and insert the nylon ball into the canopy opening. Rotate fan body until slot on nylon ball fits into pin opposite canopy opening.

Step 8. Attach the fan wires to the ceiling outlet box wiring by twisting the bare ends of the wiring together:

- White wire from fan to white NEUTRAL wire in ceiling outlet box.
- Black wire and blue wire (3-Speed fan only) from fan to black (or red) POWER wire in ceiling outlet box.
- Green leads from crossbar mounting bracket and fan to grounding conductor of power source.

Secure by threading on the wire nuts provided.



SECONDARY SUPPORT @ COMPLETING INSTALLATION

Step 9. Attach the fan cable to outlet box cable with the spring lock hook. Make sure the spring lock is tightly closed.

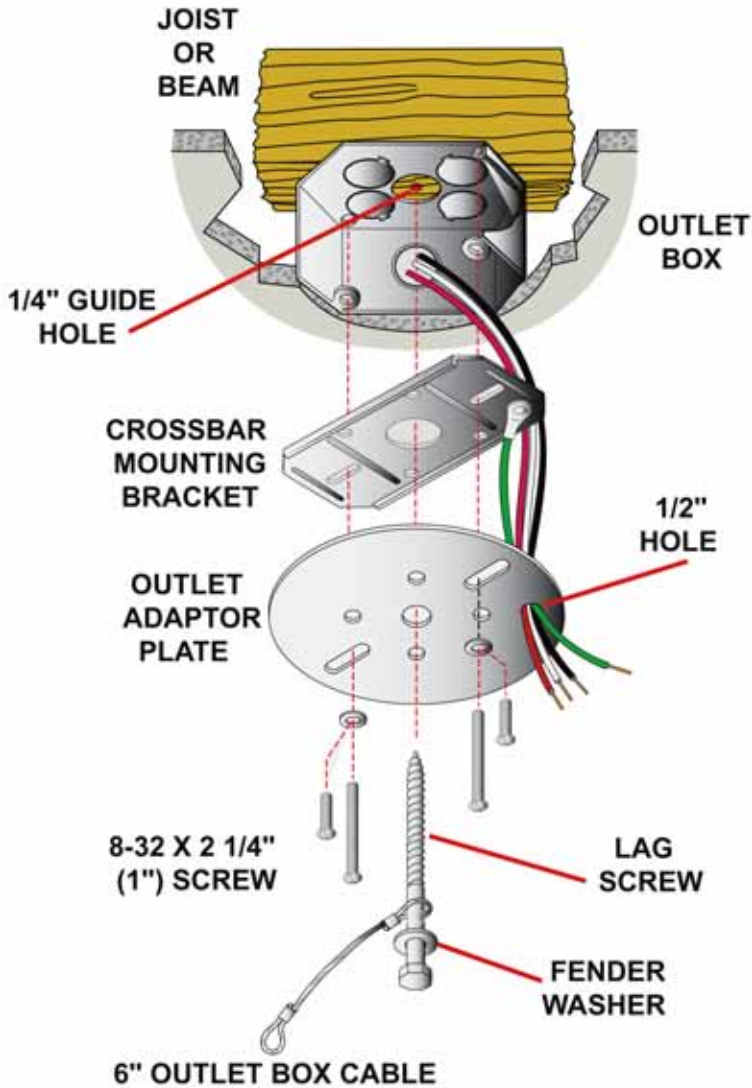
Step 10. Tuck the wires into the canopy with the wire nuts pointed upward, so that the white and black wires are on opposite sides of the canopy and all wires are clear of the canopy opening. Tuck the extra cable and screw lock hook into the canopy.

NOTE: International fans and light fixtures are supplied with plug and socket connectors. Substitute these connectors for the wire nuts shown throughout this manual.



Outside USA - Continued on next page.

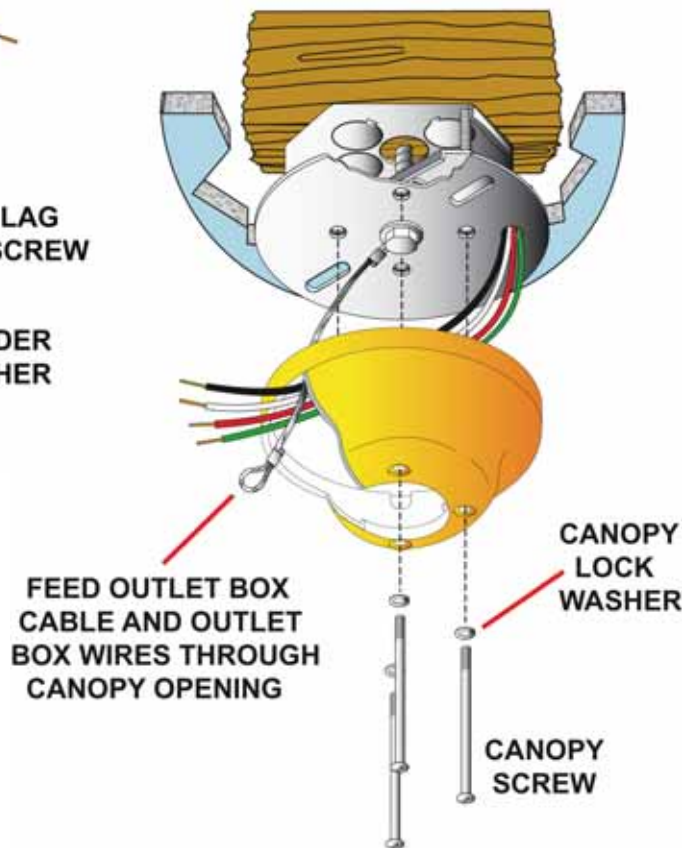
Outside USA - Continued.



NOTE: All fan installations and wiring must be in accordance with the NRC National Building Code Plus CSA Standards . The NRC National Building Code Plus CSA Standards requires proper grounding as a precaution against electrical shock. A qualified electrician should be consulted if you are unsure of your ceiling fan installation.

WARNING: MOUNT ONLY TO AN OUTLET BOX MARKED ACCEPTABLE FOR FAN SUPPORT

 ADVERTISSEMENT: ASSEMBLER UNIQUEMENT À UNE BÔÎTE DE SORTIE JUGÉE ACCEPTABLE POUR RETENIR UN VENTILATEUR.



Outside USA - Continued on next page.

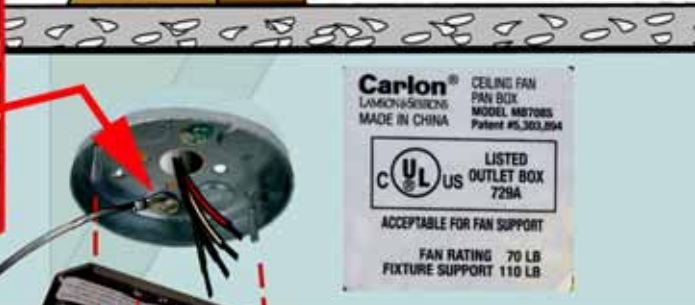
Outside USA - Continued.

Outside USA: Perma • Lock™

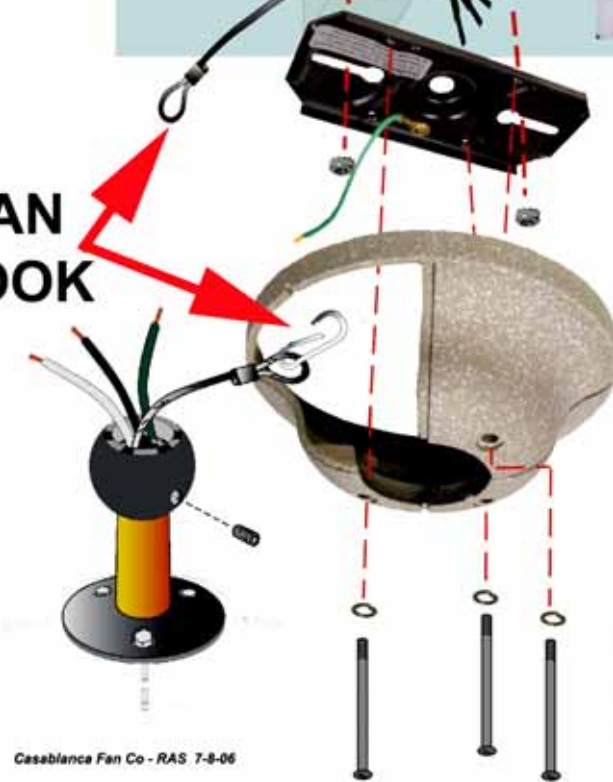
Lag Screw NOT required as Secondary Support.




Carlton® has added a Secondary Support within design.



FAN HOOK



Casablanca Fan Co - RAS 7-8-06

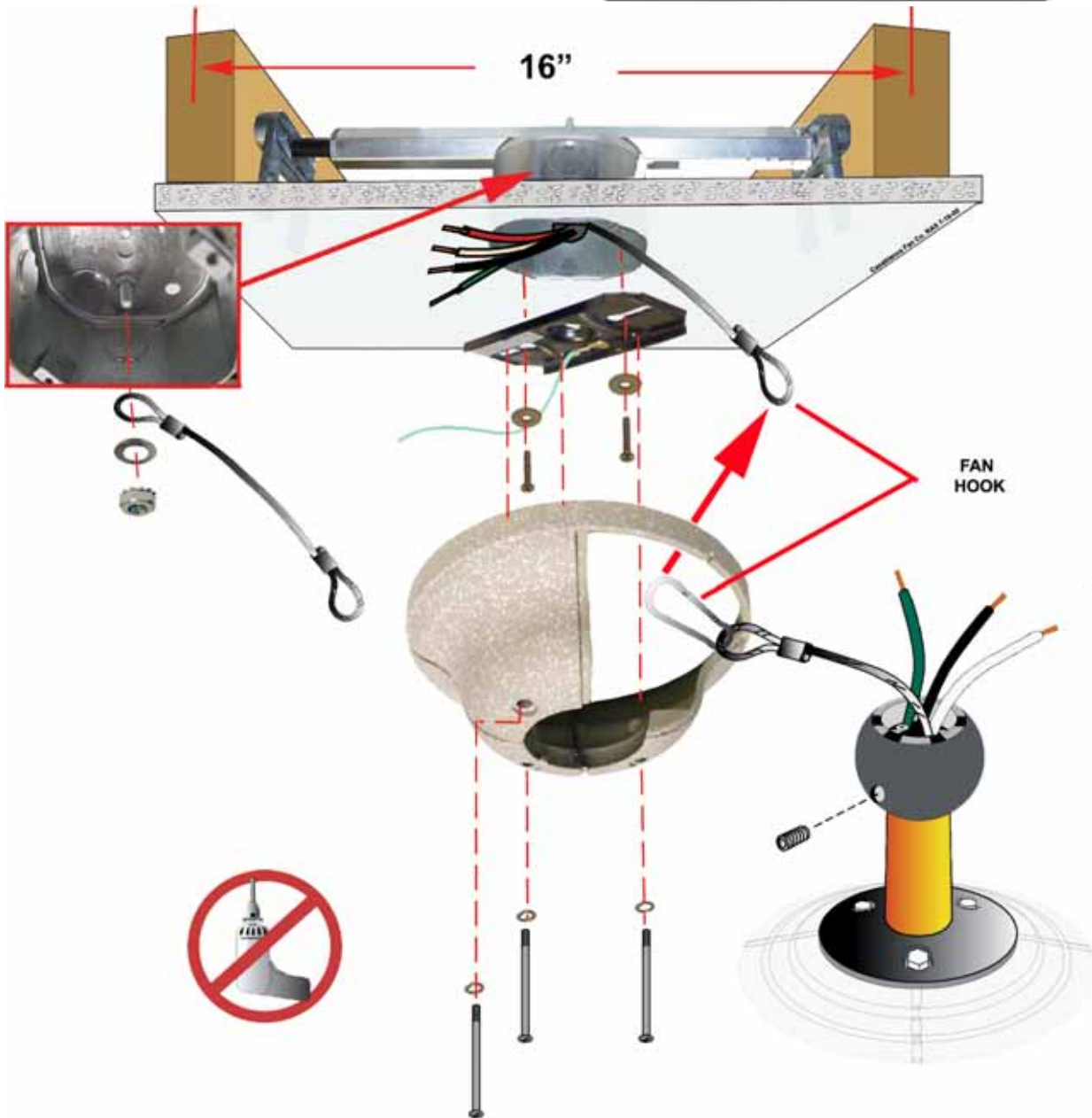
NOTE: All fan installations and wiring must be in accordance with the NRC National Building Code Plus CSA Standards . The NRC National Building Code Plus CSA Standards requires proper grounding as a precaution against electrical shock. A qualified electrician should be consulted if you are unsure of your ceiling fan installation.



Outside USA - Continued on next page.

Outside USA - Continued.

Outside USA: Perma • Lock™



Casablanca Fan Co - RAS 7-6-06



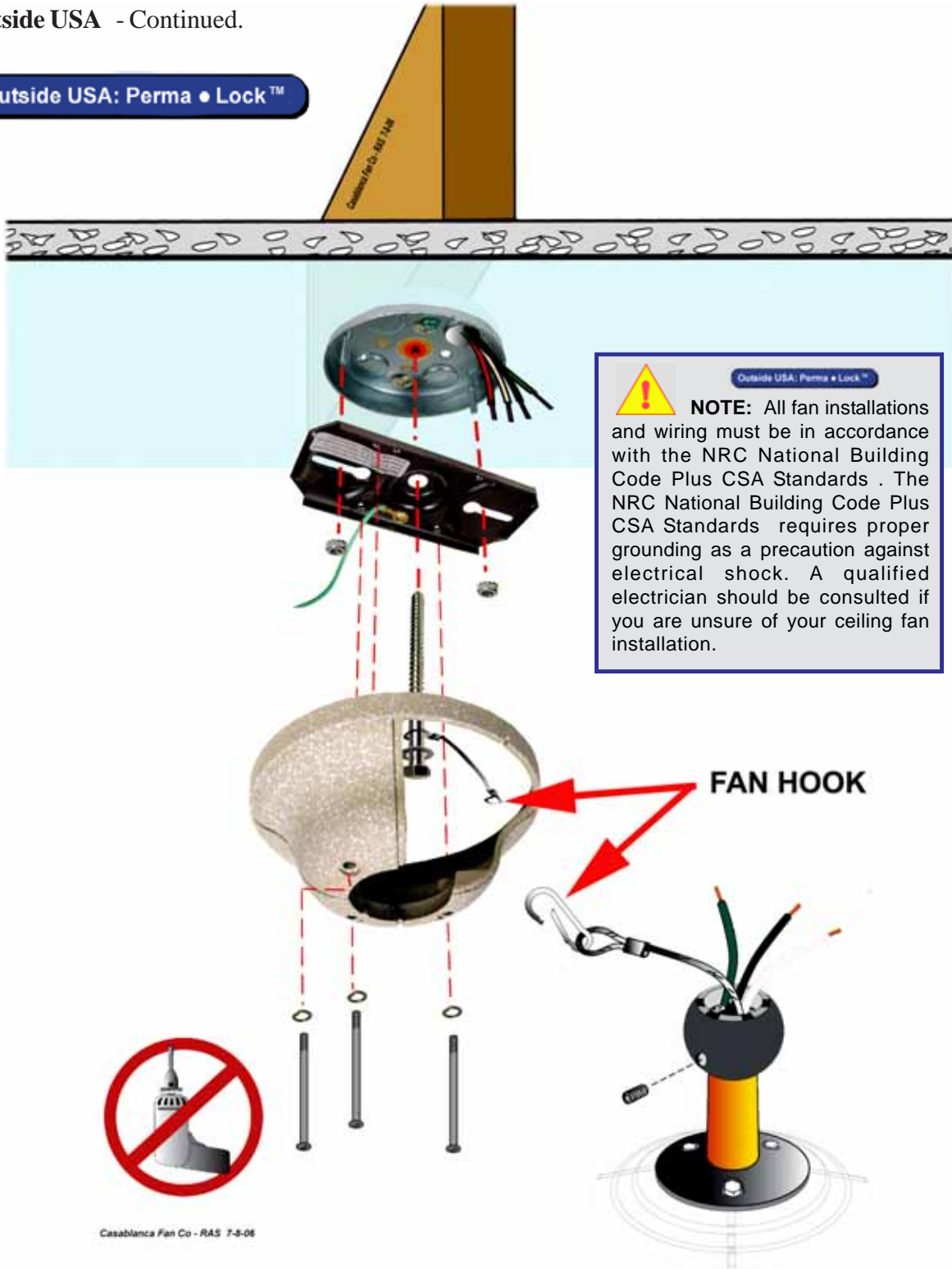
Outside USA: Perma • Lock™

NOTE: All fan installations and wiring must be in accordance with the NRC National Building Code Plus CSA Standards . The NRC National Building Code Plus CSA Standards requires proper grounding as a precaution against electrical shock. A qualified electrician should be consulted if you are unsure of your ceiling fan installation.

Outside USA - Continued on next page.

Outside USA - Continued.

Outside USA: Perma • Lock™



NOTE: All fan installations and wiring must be in accordance with the NRC National Building Code Plus CSA Standards . The NRC National Building Code Plus CSA Standards requires proper grounding as a precaution against electrical shock. A qualified electrician should be consulted if you are unsure of your ceiling fan installation.

FAN HOOK

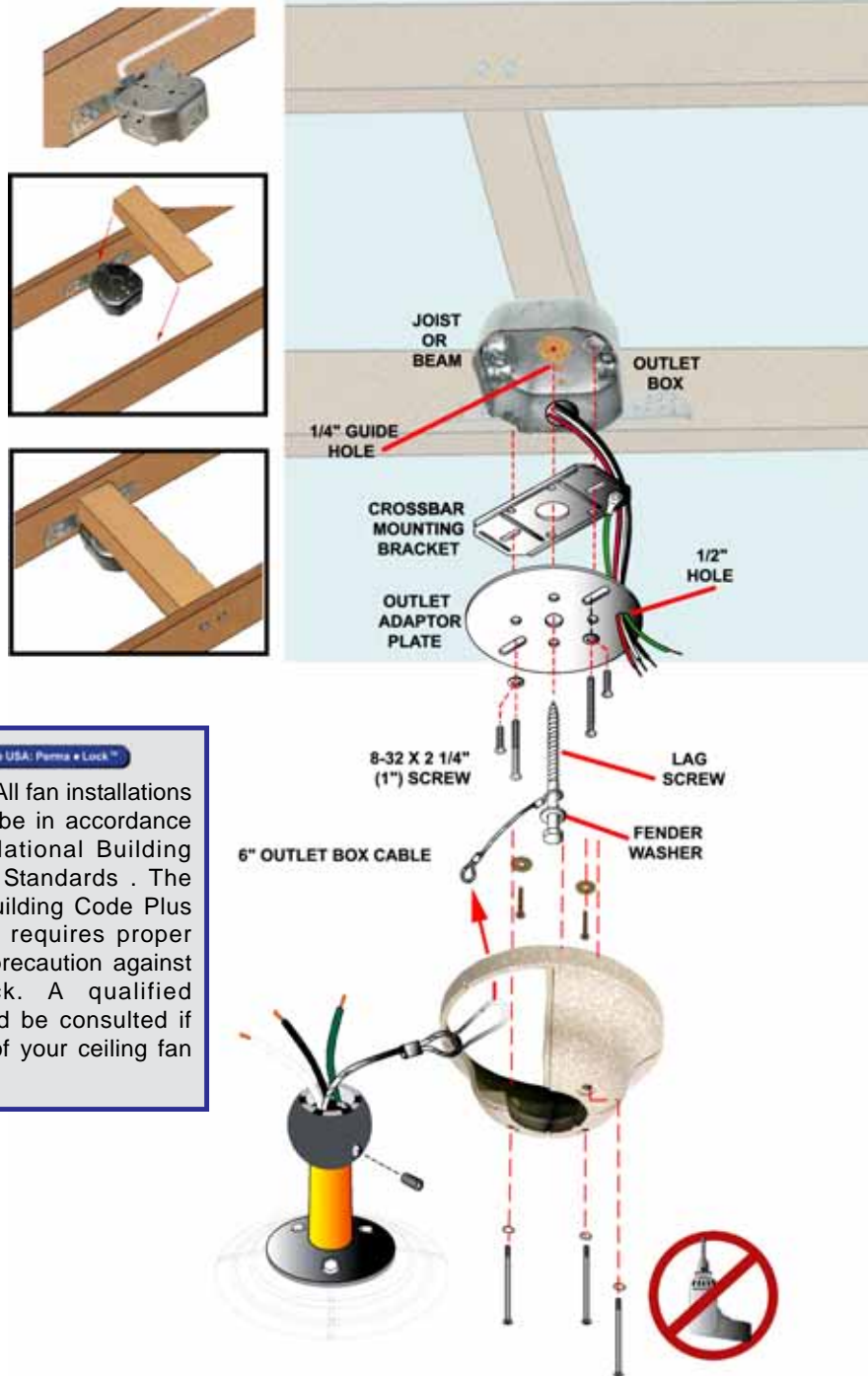


Casablanca Fan Co - RAS 7-8-06

Outside USA - Continued on next page.

Outside USA - Continued.

Outside USA: Perma • Lock™



NOTE: All fan installations and wiring must be in accordance with the NRC National Building Code Plus CSA Standards . The NRC National Building Code Plus CSA Standards requires proper grounding as a precaution against electrical shock. A qualified electrician should be consulted if you are unsure of your ceiling fan installation.

Outside USA - Continued on next page.

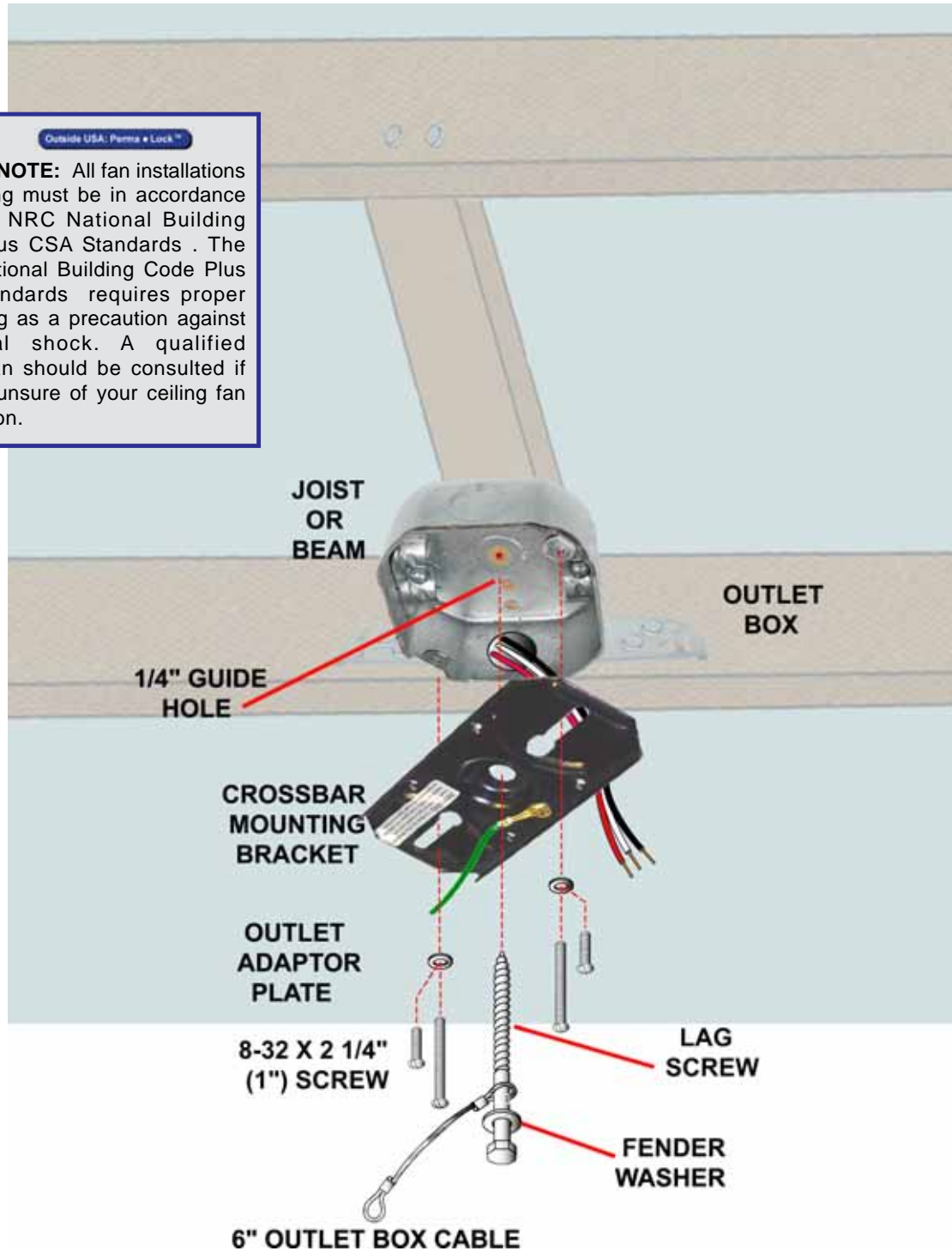
Outside USA - Continued.

Outside USA: Perma • Lock™



Outside USA: Perma • Lock™

NOTE: All fan installations and wiring must be in accordance with the NRC National Building Code Plus CSA Standards . The NRC National Building Code Plus CSA Standards requires proper grounding as a precaution against electrical shock. A qualified electrician should be consulted if you are unsure of your ceiling fan installation.



Outside USA - END.